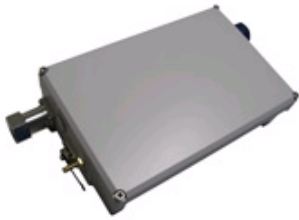


Product Specifications



CommScope—Private and Confidential. Preliminary specifications are for internal use only.



E15R05P04

Tower Mounted Amplifier, Single GSM/UMTS 900 with AISG

Electrical Specifications Rx (Uplink)

Bandwidth	35.00 MHz
License Band	GSM UMTS
Frequency Band	880 – 915 MHz
Gain	12 dB
Gain Tolerance	±1
Noise Figure, Mid Band, typical	1.30 dB @ 12 dB
Noise Figure, Full Band, typical	1.60 dB @ 12 dB
Output IP3, minimum	22 dBm @ 12 dB
Return Loss, minimum	18 dB
Insertion Loss, Bypass Mode, typical	3.00 dB
Return Loss, Bypass Mode, typical	14 dB
Tx Band Rejection	80 dB
Group Delay Variation, maximum	60 ns @ 5 MHz
Total Group Delay, maximum	200 ns

Electrical Specifications Tx (Downlink)

Bandwidth	35.00 MHz
Insertion Loss, maximum	0.70 dB
License Band	GSM UMTS
Frequency Band	925 – 960 MHz
Insertion Loss Ripple, maximum	0.50 dB
Return Loss, minimum	18 dB
Input Power, RMS, maximum	200 W
Input Power, PEP, maximum	5000 W
Rx Band Rejection	40 dB
Group Delay Variation, maximum	28 ns @ 5 MHz
Total Group Delay, maximum	78 ns

Electrical Specifications 2 Tx (Downlink)

3rd Order IMD	-116 dBm
3rd Order IMD Test Method	Two +43 dBm carriers

Electrical Specifications

Protocol	AISG 2.0
Default Protocol	AISG 2.0

Product Specifications

E15R05P04

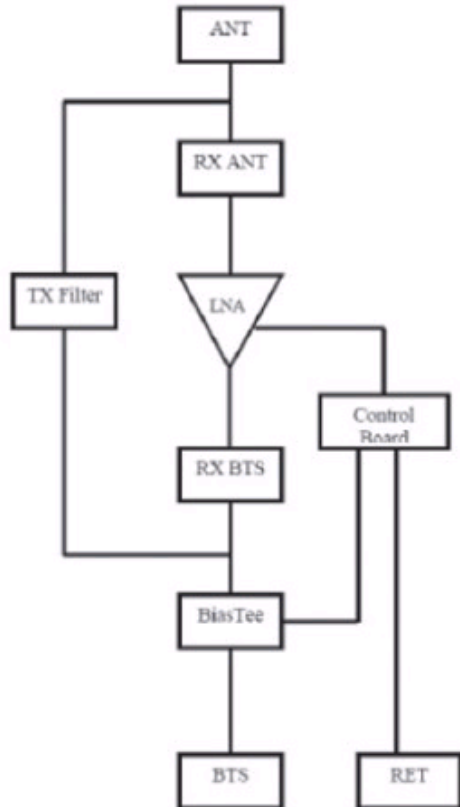


Operating Current at Voltage	105 mA @ 12 V
Voltage	7-30 Vdc
Operating Current Tolerance	±20
Alarm Functionality	AISG CWA
Failure Current Consumption	185 mA ±10 mA
RET System Compatible	1 Output, 24 Vdc and RS-485
Lightning Surge Capability Waveform	8/20 waveform
Lightning Surge Current	10 kA

Product Specifications

E15R05P04

Block Diagram



Mechanical Specifications

Connector Interface	7-16 DIN Female
Connector Interface Style	Long neck
Ground Screw Diameter	8.00 mm
AISG Connector Standard	IEC 60130-9
Finish	Painted
Color	Gray
Mounting Pipe Hardware	Band clamps
Mounting Pipe Diameter	40-160 mm

Environmental Specifications

Operating Temperature	-40 °C to +65 °C (-40 °F to +149 °F)
Relative Humidity	Up to 100%
Ingress Protection Test Method	IEC 60529:2001, IP67

Dimensions

Product Specifications



E15R05P04

Height	260.0 mm 10.2 in
Width	170.0 mm 6.7 in
Depth	71.0 mm 2.8 in
Weight	4.5 kg 9.9 lb

Outline Drawing
